



COMPANY OVERVIEW

KTM partners with companies of all sizes needing mechanical solutions such as lift systems, structures, custom machines, engineering analysis, and fixtures.



Corporate Information:

- April 2005, KTM Solutions, Inc. – A South Carolina Corporation
- Woman Owned Small Business
- Stats: Employment < 30; Revenues <\$10M
- CAGE Code (4S1S5), DUNS 624088220
- Project Range: \$5K to \$1500K (\$30K to \$500K target)

Certifications/Credentials:

- Registered Engineering Company, South Carolina (COA #3325), Washington (COA #3883)
- Licensed Professional Engineers (FL,LA,MO,SC,TX,WA)
- Senior Engineering Management Experience with Fortune 50 Aircraft Companies
- AS9100/ISO9001:2008 QMS (compliant)
- ASME NQA-1 Audited/Approved
- AWS D1.1 Qualified



Corporate Offices – 603 High Tech Court, Greer, SC

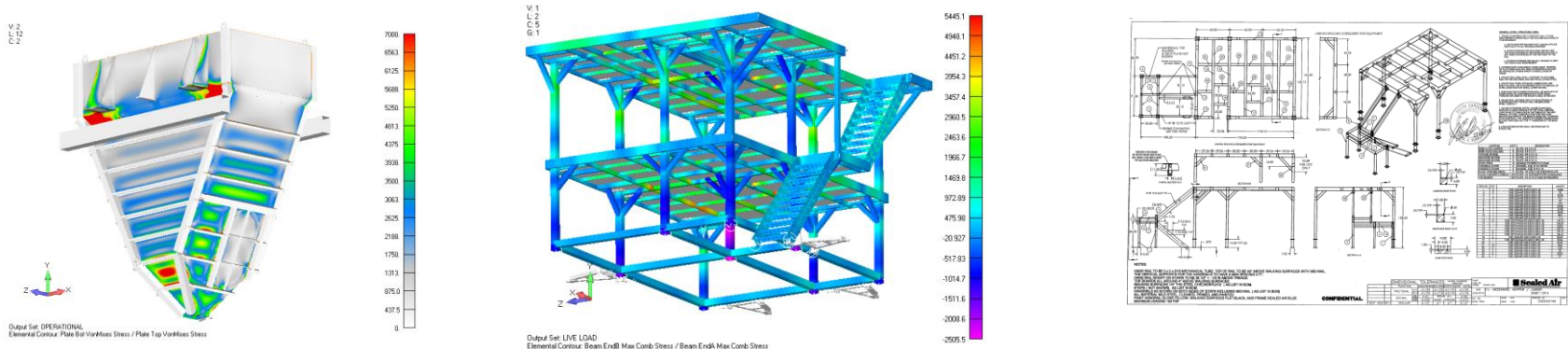
PROFESSIONAL ENGINEERING



Our Niche

Professionally engineered machines, fixturing, and **structural assemblies**

- Analysis and PE Certification of Mezzanines, platforms, equipment frames.
- Static, fatigue, and dynamic analysis and simulations (FEA).
- Analytical methods applied to client's designs optimizing safety and performance.



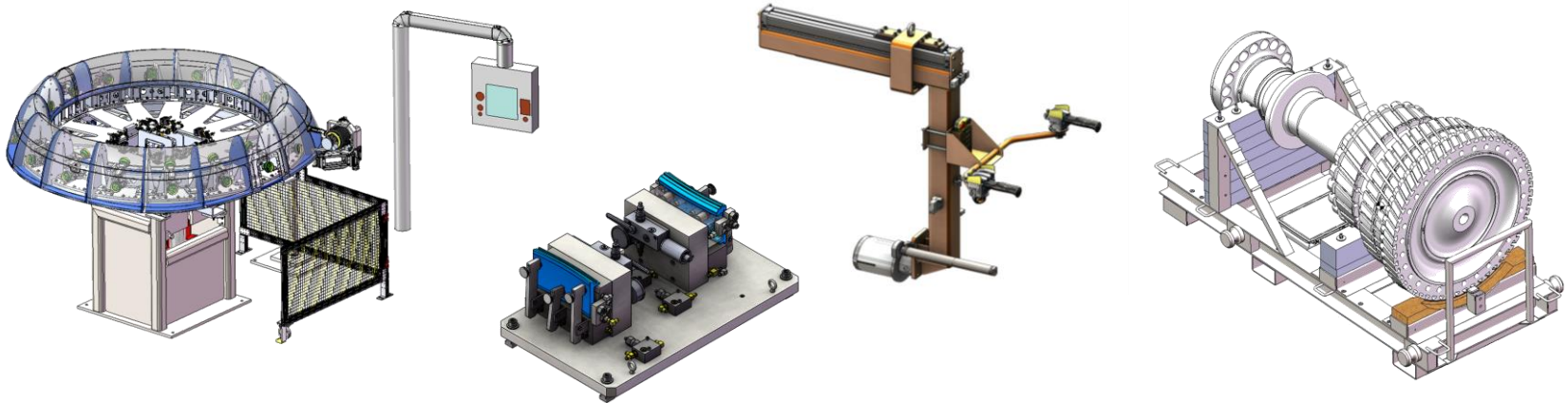
FIXTURES AND TOOLING



Our Niche

Professionally engineered machines, **fixturing**, and structural assemblies

- Reliable, safe, and efficient fixtures and tools. Applications include:
 - Tooling systems and material holding fixtures – machining, welding, EDM, grinding
 - Lifting fixtures and manipulators
 - Assembly fixtures and shop aids



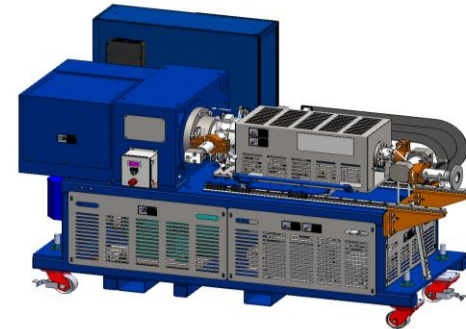
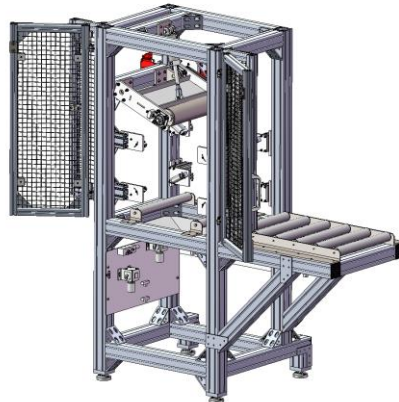
MACHINE DESIGN



Our Niche

Professionally engineered **machines**, fixturing, and structural assemblies

- Design and manufacture of advanced custom machinery
- Complex engineering solutions for manufacturing enhancement



OUR COMPETITIVE ADVANTAGE



- KTM Engineering consistently retains customers year over year.
 - 80% of our customer base is repeat business
- KTM Engineering is committed to staying on schedule.
 - Customers routinely report a high level of satisfaction with our ability to deliver on time.
- KTM Engineering is known for communication.
 - Overcommunication is our goal.

PRINCIPLE POINTS OF CONTACT



Seth Withers, Business Development

seth.withers@ktmlsolutions.com

864-479-9099 x 2199

Dev Belflower, COO

dev.belflower@ktmlsolutions.com

864-479-9099 x 2103